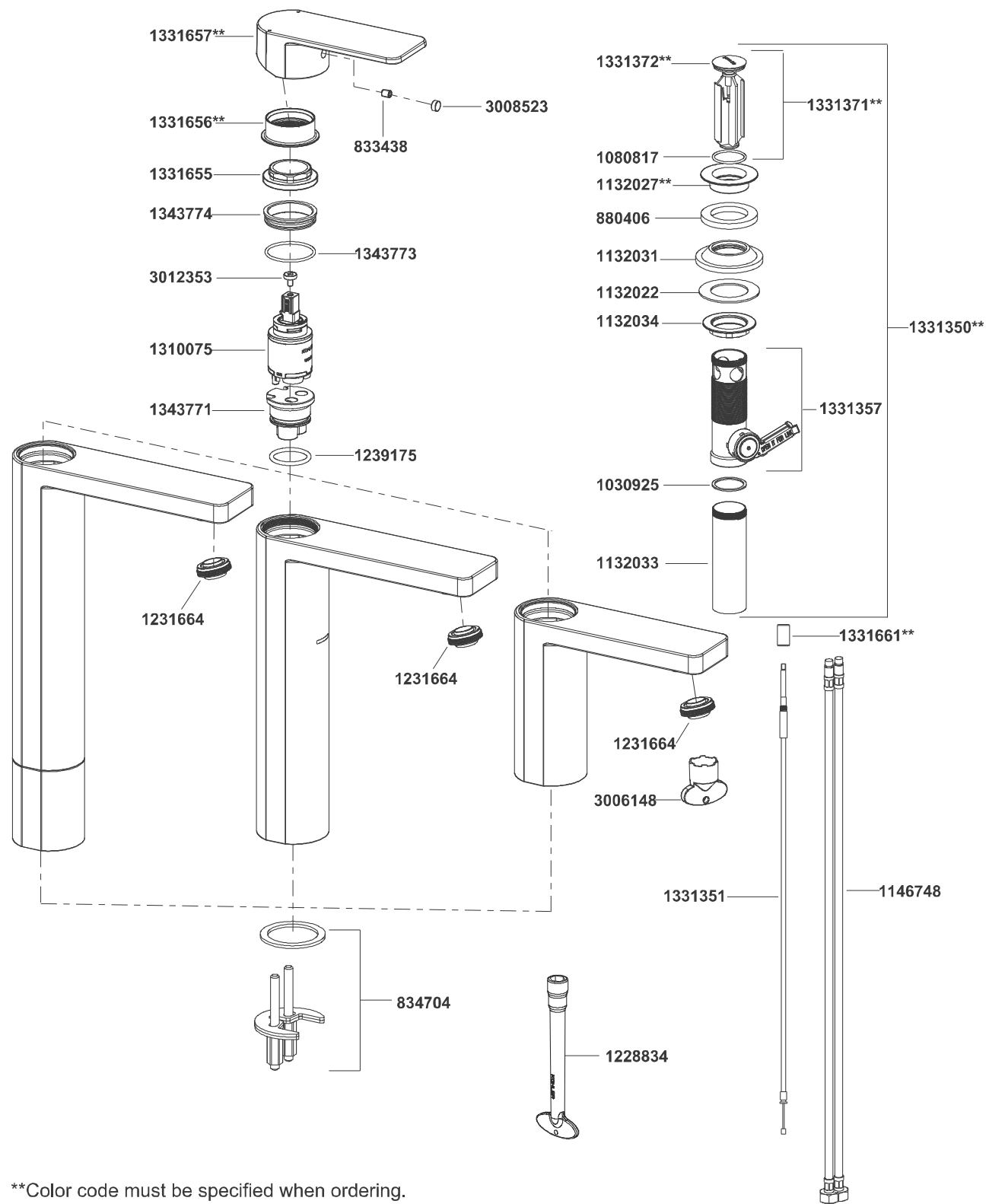


- 23472T-4 Single Handle Lavatory Faucet
- 23475T-4 Tall Single Handle Lavatory Faucet
- 23478T-4 Super Tall Single Handle Lavatory Faucet



\*\*Color code must be specified when ordering.  
**NOTE:** For all Asia pacific regions (excluding China) add SP (SPxxxxxx\*\*) in front of the part number when ordering.

- 23472T-4 Single Handle Lavatory Faucet
- 23475T-4 Tall Single Handle Lavatory Faucet
- 23478T-4 Super Tall Single Handle Lavatory Faucet

### BEFORE YOU BEGIN

All information is based on the latest product information available at the time of publication. Kohler Co. reserves the right to make changes in product characteristics, packaging, or availability at any time without notice. Please leave these instructions for the consumer. They contain important information.

### NOTES:

1. Flush the water supply pipes thoroughly to remove debris.
2. If possible, install this faucet before installing the lavatory.
3. Inspect the supply tubing for damage and leakage. Replace and maintain as necessary.
4. Observe local plumbing codes.
5. Shut off the water supplies to the fitting.

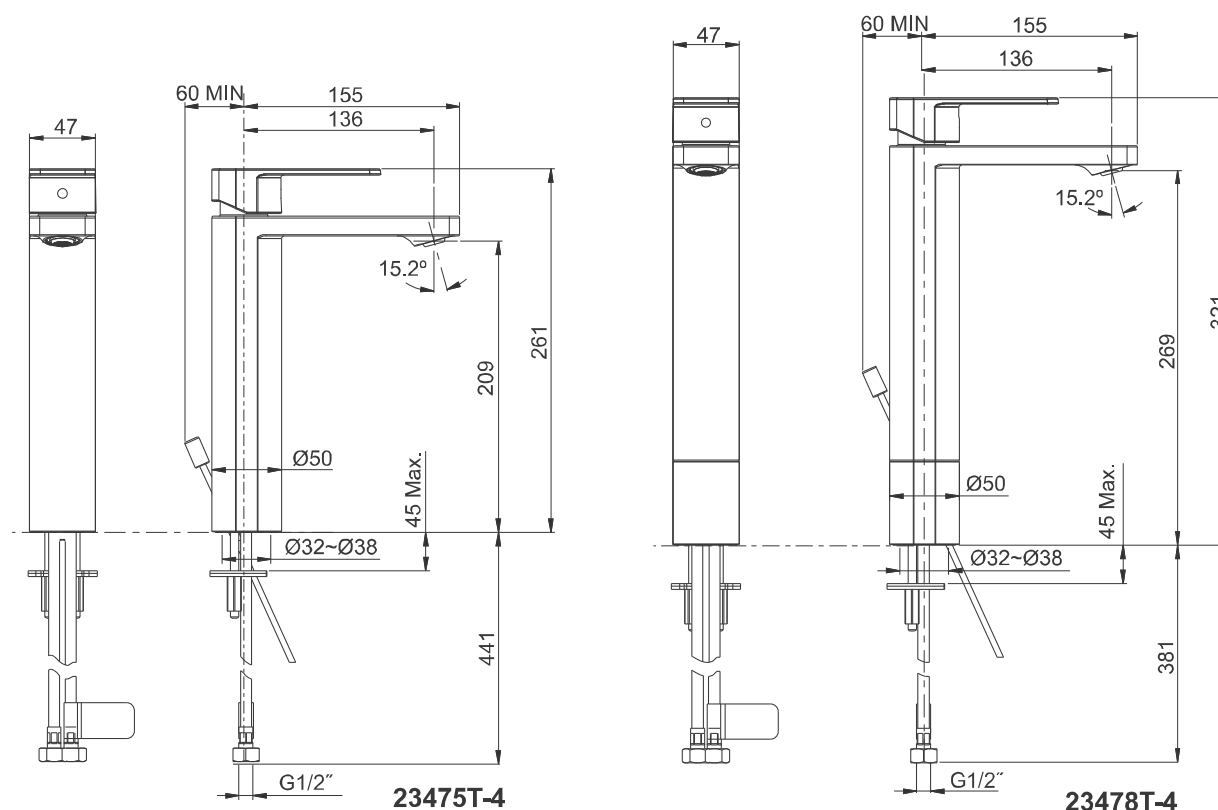
### HANDLE OPERATION

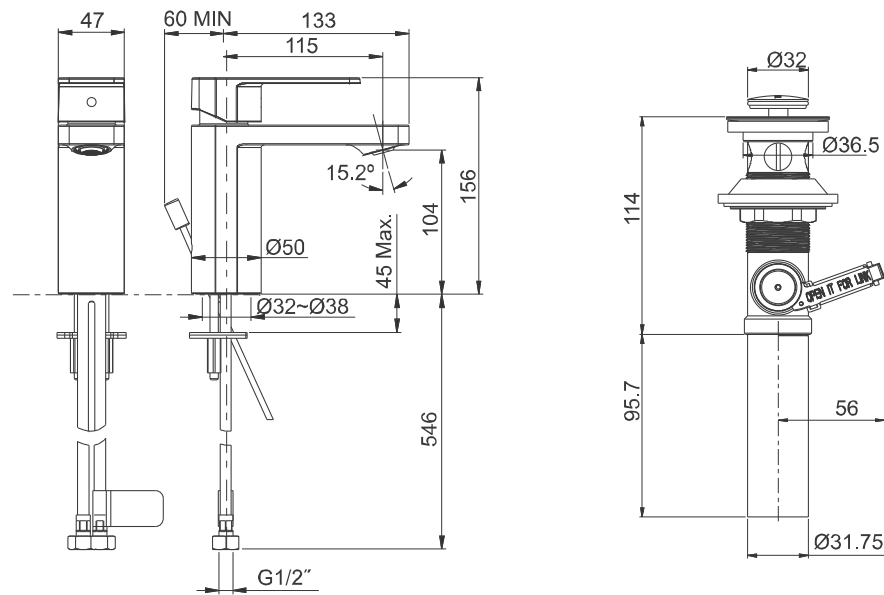
Lift handle gently. Turn clockwise for hot water, turn counter-clockwise for cold water.

### STANDARD APPLICABLE

Special model meets or exceeds the following at date of manufacture: TIS

### ROUGH-IN DIMENSIONS

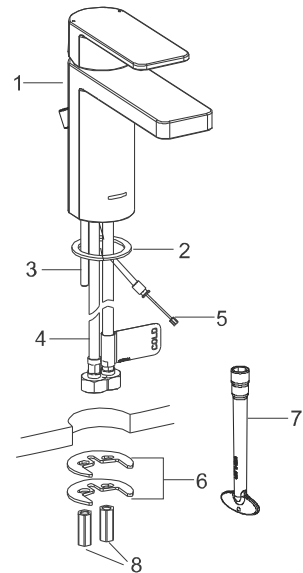




23472T-4

23472T-4 & 23475T-4 & 23478T-4

## INSTALLATION

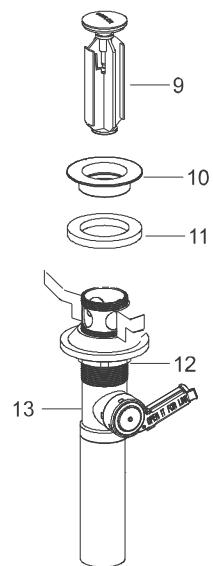


### How to Install the Spout

Install the mounting studs(3) onto the faucet body base(1), and put the washer(2) into the groove at the bottom of the faucet over the flexible hoses(4) and cable end(5).

Insert the faucet assembly into the lavatory hole. Position the faucet properly. From underside of the lavatory, place the brackets(6, Rubber washer is on the top) onto the mounting stud, and tighten the nuts(8) with a wrench(7) to secure the faucet.

Attach the hoses to water supplies. When facing front of the faucet, the left hose connects to hot water, the right hose with "COLD" label connects to cold water.

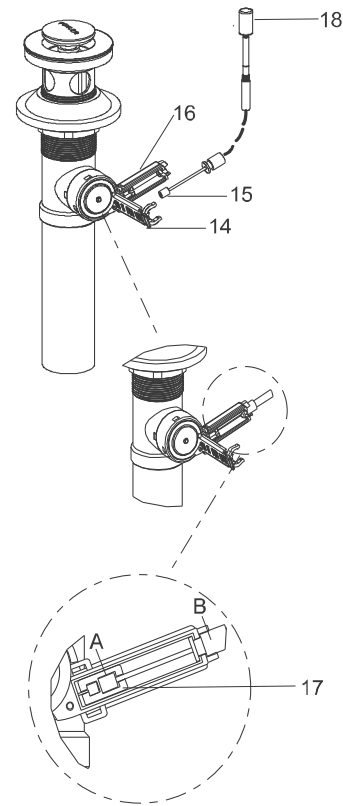


### How to Install the Drain

Remove stopper(9), flange(10) and washer(11) from drain body(13). Insert drain body through the drain hole from underside, and adjust the position properly. Screw the flange(10) with washer(11) onto the drain body.

Tighten the locknut(12) on the drain body by wrench. Insert the stopper(9) into the drain assembly(13).

**NOTE:** If needed, apply a ring of plumbers putty around the underside of the drain flange, instead of using washer(11).

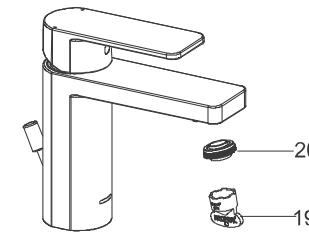


Open the coverplate(14) on the drain body, and insert cable end(15) into the square hole (17) of cable box(16). Make sure the cable is properly buckled at both ends(A, B) of the cable box as the figure shown.

Lock the coverplate(14), and verify the lift rod (18) on the faucet is linked correctly with the drain body through the cable.

**NOTE:** Do not reposition the drain if plumbers putty applied after the locknut is tightened, or you may break the putty seal. Wipe away excess plumbers putty.

## INSTALLATION CHECKOUT



Ensure that all connections are tight. Ensure that the handle is in the off position. Turn on the drain and main water supply, and check for leaks. Repair as needed.

Remove the aerator kit(20) by tool(19). Turn on the faucet. Run hot and cold water through the faucet for about one minute to remove any debris. Remove any debris from the aerator kit. Shut off the faucet. Reinstall the aerator kit.

## CLEANING INSTRUCTIONS

All Finishes: Clean the finish with mild soap and warm water. Wipe entire surface completely dry with clean soft cloth. Many cleaners may contain chemicals, such as ammonia, chlorine, toilet cleaner etc, which could adversely affect the finish and are not recommended for cleaning.

Do not use abrasive cleaners or solvents on Kohler faucets and fittings.